


[LANCIA](#) / [YPSILON](#) / [1.3 JTD](#) / [PROCEDURES](#) / [70 FITTINGS](#) / [7005 PASSENGER COMPARTMENT FRONT SIDE DOORS](#)
 / [7005M FRONT ELECTRIC WINDOWS](#)
 / 7005M12 PASSENGER SIDE FRONT DOOR ELECTRICALLY OPERATED WINDOW SWITCH - R R

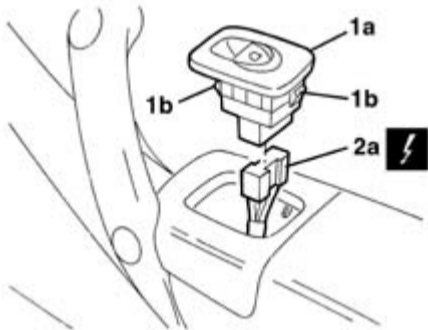
2429511 - 7005M12 passenger side front door electrically operated window switch - r r



 Removing ([Refitting](#) )

1. Release the switch holder trim (1a), releasing the retainers (1b).
2. Disconnect the electrical connection.

|  | Name | Connector |
|---|---|---------------------|
| 2a | Electric window switch on .front passenger door | H50 |

3. Keep the switch holder trim.



 Refitting ([Removing](#) )

- Check that the switch holder trim is not damaged.
- Connect the electrical connection.
- Position the embellishment and engage the retainers.
- Check that the electric window is working properly.